

INSET LIGHT - PERIMETER TLOF

KEY FEATURES

A signalization TLOF system (Touchdown and Lift-Off area) must be present in every heliport with night operation. The system is composed by lights with green omnidirectional emission, located on the perimeter of heliport, this version is vehicle proof.

TLOF area can be circular (with a minimum of 14 lights) or square (with minimum of 4 lights for side and installed with a maximum distance of 3 meters one from the other).



TECHNICAL SPECIFICATIONS

OPTICAL FEATURES

- Horizontal beam radiation 360°
- PMMA inner lens

Elevation (E)	Luminous Intensity
20° < E ≤ 90°	3 cd
13° < E ≤ 20°	8 cd
10° < E ≤ 13°	15 cd
5° < E ≤ 10°	30 cd
2° ≤ E ≤ 5°	15 cd

-180° Azimuth +180°

ELECTRICAL FEATURES

- Power Supply 12/24/48 VDC
- Power consumption: 2,8W
- LED feeded at constant current

MECHANICAL FEATURES

- Anodised aluminium body
- Silicone gasket
- Degree of protection IP66
- Shallow base dimension: 5"
- Operating temperature: -20°C to +60°C
- Storage temperature: -25°C to +85°C
- Lamp unit weight: 2,3kg (without shallow base)

OPTIONS

- If the products are used with an 8"- and/or 12"- diameter shallow bases, the adapter flange can be supplied by VDGLAB
- Power supply 110/230 VAC from control panel only
- Additional JB for interconnection

CERTIFICATION

CE marking

COMPLIANCE

ENAC Regulation: "Costruzione ed esercizio degli eliporti", Ed. I - par. 3.8



ICAO Aerodrome Design Manual - Part 4 Visual AIDS - Chapter 13

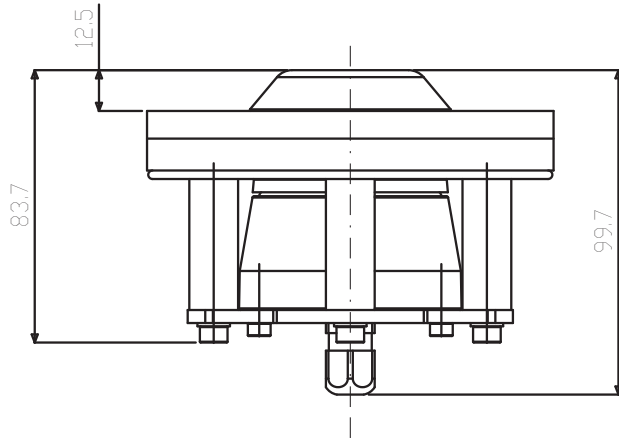
ORDER CODE

Lamp Code	Company Code	Type of light	Shallow base	Version
PHL	VDG	T		
		T =TLOF	S = Standard 5" 8 = ø 8" 12 = ø 12"	S = Standard IR = Infrared

Subject to change without notice

TECHNICAL DRAWINGS

SIDE VIEW



TOP VIEW

