

LOW INTENSITY - LXS-ONE

KEY FEATURES

Low Intensity Obstruction Light is compliant to ICAO (Low Intensity – Type A or B), FAA (Type L-810) and ENAC certified.

LXS-ONE has been designed to be easily installable. It is **more compact** and equipped with an **adaptable mount bracket**. A balance of **optics, electronics** and **mechanics** has allowed us to make an **affordable** and **convenient device**.

LXS-ONE-A / LXS-ONE-B beacon has a **red steady burning light** with an omnidirectional light beam, able to ensure a vertical beam spread of 10°, according to ICAO Annex 14.



TECHNICAL SPECIFICATIONS

OPTICAL FEATURES

- Based on LED technology
- RED steady burning light
- >10 cd LXS-ONE Type A
- >32 cd LXS-ONE Type B
- Peak intensity: @5°
- Horizontal beam radiation 360°
- Vertical beam spread >10°
- PMMA lens

MECHANICAL FEATURES

- Anodised aluminium body
- Silicone gasket
- Degree of protection: IP66
- Operating temperature: -20°C to +60°C
- Storage temperature: -20°C to +85°C
- Dimensions (Øxh): 68x60mm
- Lamp unit weight: 260gr

ELECTRICAL FEATURES

- Nominal input voltage: 9 - 60 VDC
- Power consumption: 0,4W (Type A)
- Power consumption: 2,0W (Type B)
- LED feeded at constant current

APPLY TO


- Airport - Stack - High Building - Chimney - Tower crane
- Pipe line - Bridge - Radio and television tower
- Transmission line - Wind turbine - Wind mast measurement
- Radar - Antenna


OPTIONS


- Beacon support bracket

COMPLIANCE

 CE marking

 FAA AC150/5345-43F E.B. #67 type L-810

 Aerodromes - Annex 14 Volume 1, Chapter 6: Low intensity, Type A-B steady burning obstacle light

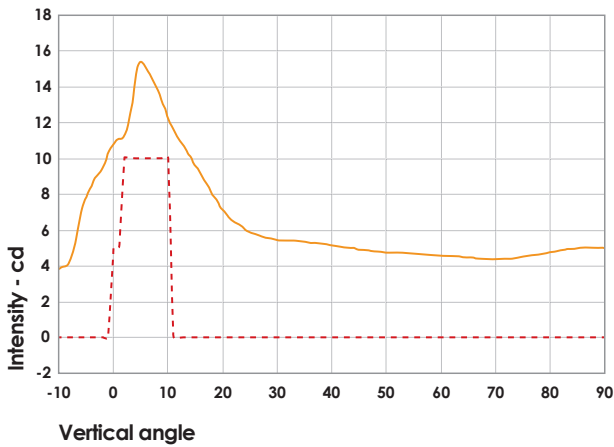
 Licensing of Aerodromes: CAP 168 - Chapter 4

ORDER CODE

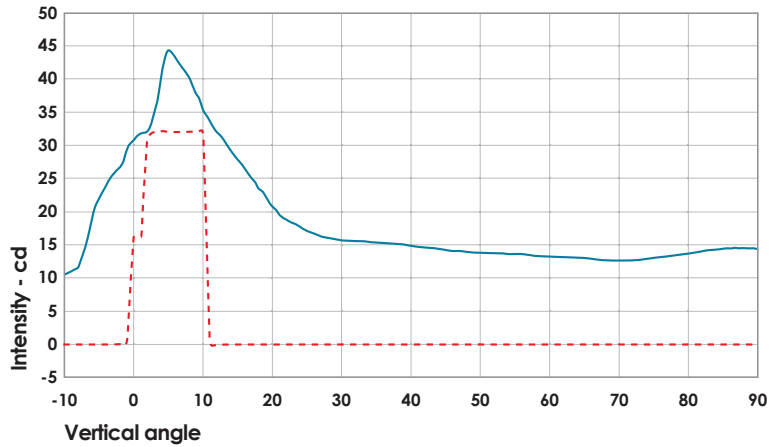
Product Code	Lamp type	Mounting type	Color	Accessories	Single or twin
LXS-ONE		S	R	O	S
	A = ≥10cd B = ≥32cd	S = Side	R = Red	0 = Without twilight sensor and without alarm	S = Single Light

Subject to change without notice

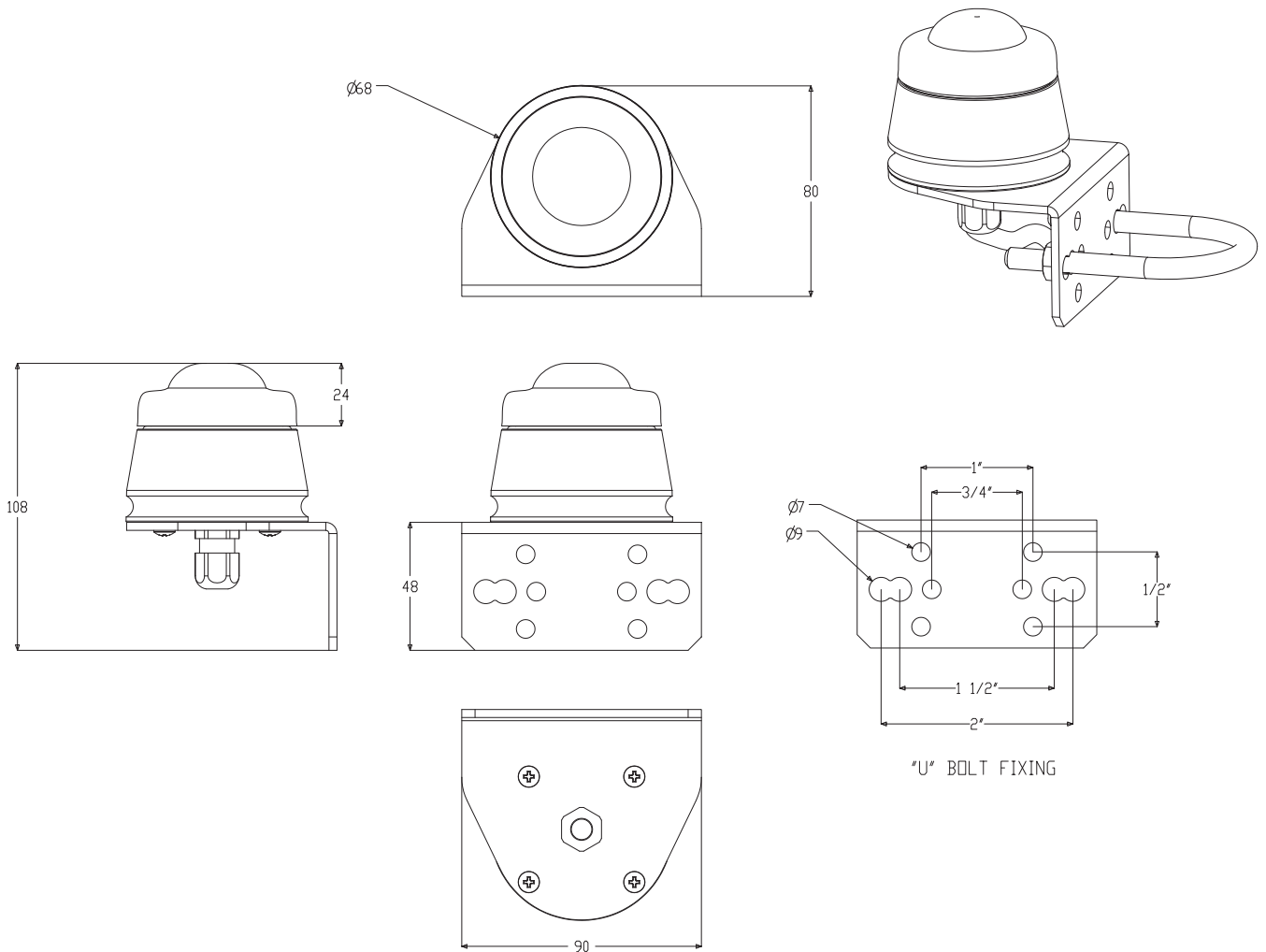
TECHNICAL GRAPHS AND DRAWINGS



— L810-LXS-ONE-A average emission level
 - - ICAO ANNEX 14 low intensity type A Minimum Required Intensity



— L810-LXS-ONE-B average emission level
 - - ICAO ANNEX 14 low intensity type B Min Required Intensity



Drawings and photos are for informational purposes only and can change without notice.